

Heavy Duty Mounts HDM6 and HDM8 range

Features and benefits

These duty mounts, when used with a cable tie, eliminates the need to carry multiple sizes of fixed bundle diameter clamps.

Sturdy and easy to use, these duty mounts, with optimized design, can be either assembled directly on harnesses or on production line.

These products are a very good alternative to parts which are usually in metal or stainless steel.

Available in PA66 heatstabilised or in PA46, they are suitable to various temperature grades.

Designed in order to meet the hard constraints in the automotive industry, these duty mounts assembled on harness are well adapted to vibration, dynamic and sliding strength forces. The tightening torque is assured by metallic inserts.

Their "H" design allows an excellent contact with harnesses or other tubes and hoses.

Mainly adapted to T120R and T120S cable ties, this HDM range can be used with smaller ties too.

Application

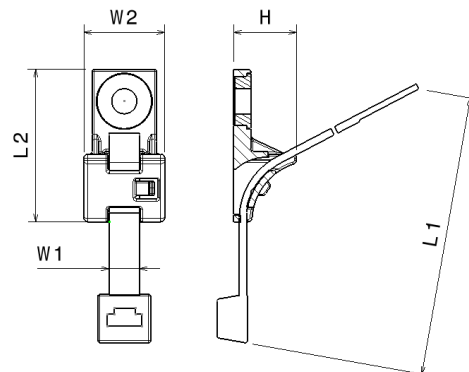
Used in the Automotive and Truck Industry for harness fixing in the engine body, these parts offer solutions in many other industrial applications with difficult environment.



These HDM can be assembled on either screw or stud

Material Data	
Material	Polyamid 6.6 heat-stabilised (PA66HS)
Operating Temperature	-40°C to +105°C continuous (+145°C for 500h)
Flammability	Self-extinguishing UL94 HB

Material Data	
Material	Polyamid 4.6 (PA46)
Operating Temperature	-40°C to +150°C for 5000h (+195°C for 500h)
Flammability	Self-extinguishing UL94 V2



HDM 6 or 8 (L1 = Length of the tie « flat »)

Technical table		Length (L)		Width (W)		Height (H)	Screw Type	Ø Bundle max	Material	Color
Article-No.	Type	L2	L1	W2	W1	Duty mount				
156-00406	T120RHDM6	37,5	380	20	7,6	15,5	M6	10-60	PA66HS	Black (BK)
156-00407	T120RHDM6	37,5	380	20	7,6	15,5	M6	10-60	PA46	Grey (GY)
156-00408	T120RHDM8	37,5	380	20	7,6	15,5	M8	10-60	PA66HS	Black (BK)
156-00409	T120RHDM8	37,5	380	20	7,6	15,5	M8	10-60	PA46	Grey (GY)

All dimensions in mm. Subject to technical changes